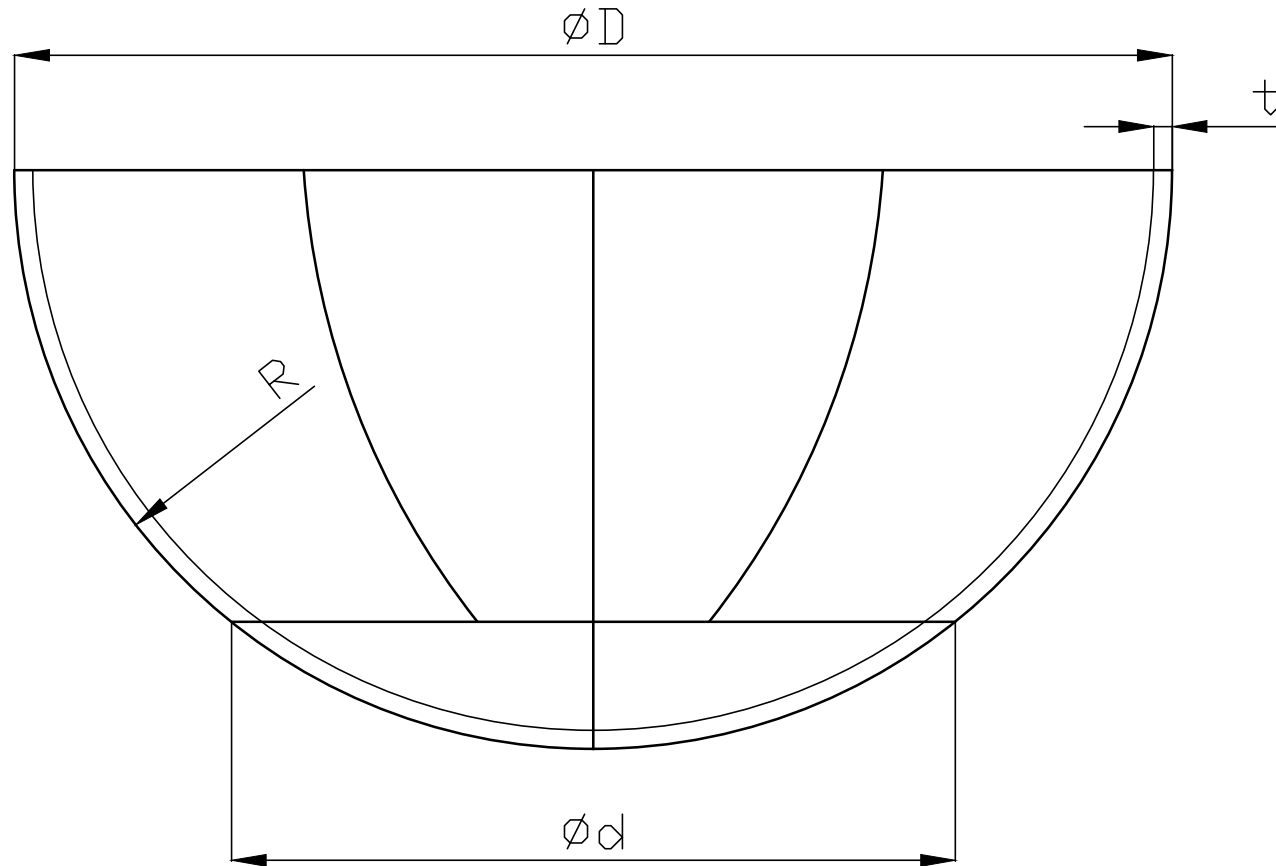


# SEGMENTAL HEADS



$$D_i(\text{mm}) = D - 2t$$

$$R(\text{mm}) = 0,5D_i$$

$d = \text{acc. to calculation}$