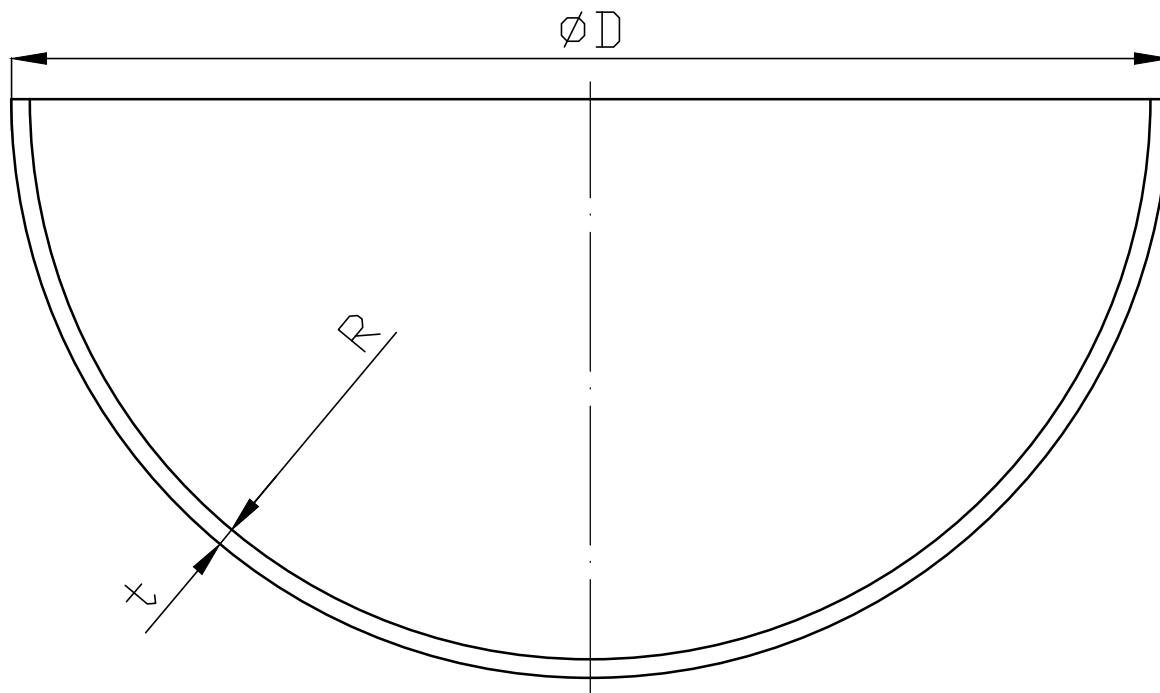


HEMISPHERICAL HEADS



$$D_i(\text{mm}) = D - 2t$$