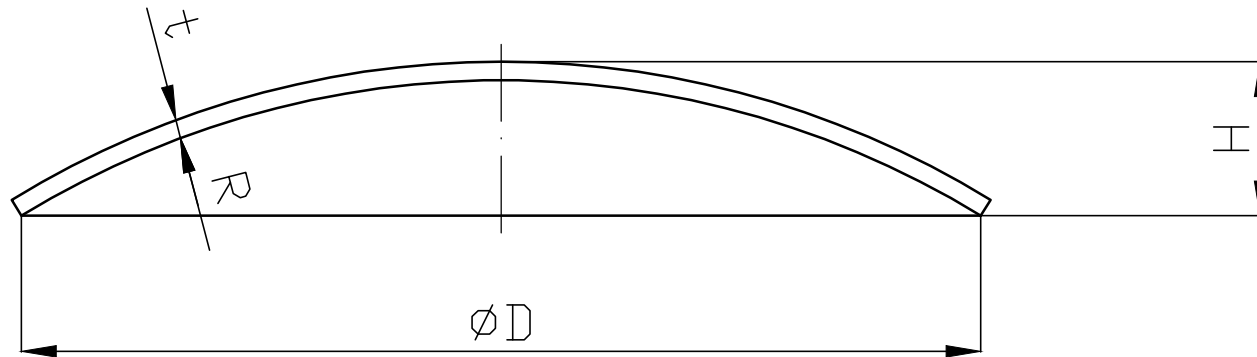


# DISHED ONLY HEADS



$$R(\text{mm})=D$$

$$H(\text{mm})=0,134D$$